



# CHARCOAL OVENS

## MODEL M25 COUNTERTOP OVEN

### STANDARD FEATURES

- 3-in-1 application: oven, grill and smoker
- Recommended for up to 70 seat capacity
- 30 % faster than open BBQ grill
- 40% less charcoal usage than open BBQ grill
- Fastest fire-up time among competitors
- Uniform heat yield across the entire coal load
- Controlled bottom air intake simplifies switching between peak and slow dayparts
- Highly efficient low temp cooking (“low and slow”)
- Cooking chamber made of premium heat resistant black steel or 304 stainless steel depending on operator’s preferences
- Proprietary dry spark arrestor designed to ensure long-term safe operation and reduce cleaning and maintenance time
- Ash drawer equipped with a convenient cover for easy removal and cleaning

**INCLUDED ACCESSORIES:** (2) grates 21.5”x19”, ember poker, grill brush, food tongs, warming tray

### OVEN GRATE

21.5” x 19”



### TECHNICAL INFORMATION

- PRODUCT OUTPUT: 132 LB/HR
- GRATE SIZE: 21.5” x 19”
- FIRE UP TIME: 30 MIN AVERAGE
- MAX WORK TEMP: 670 F
- CHARCOAL LOAD: 22-26.5 LBS
- CHARCOAL LOAD DURATION: 8 HR
- OVEN FOOTPRINT: 31”W x 29”D
- INSTALLATION HEIGHT: 57”  
(WITH SPARK ARRESTOR)
- NET WEIGHT: 514 LBS
- SHIPPING WEIGHT: 562 LBS

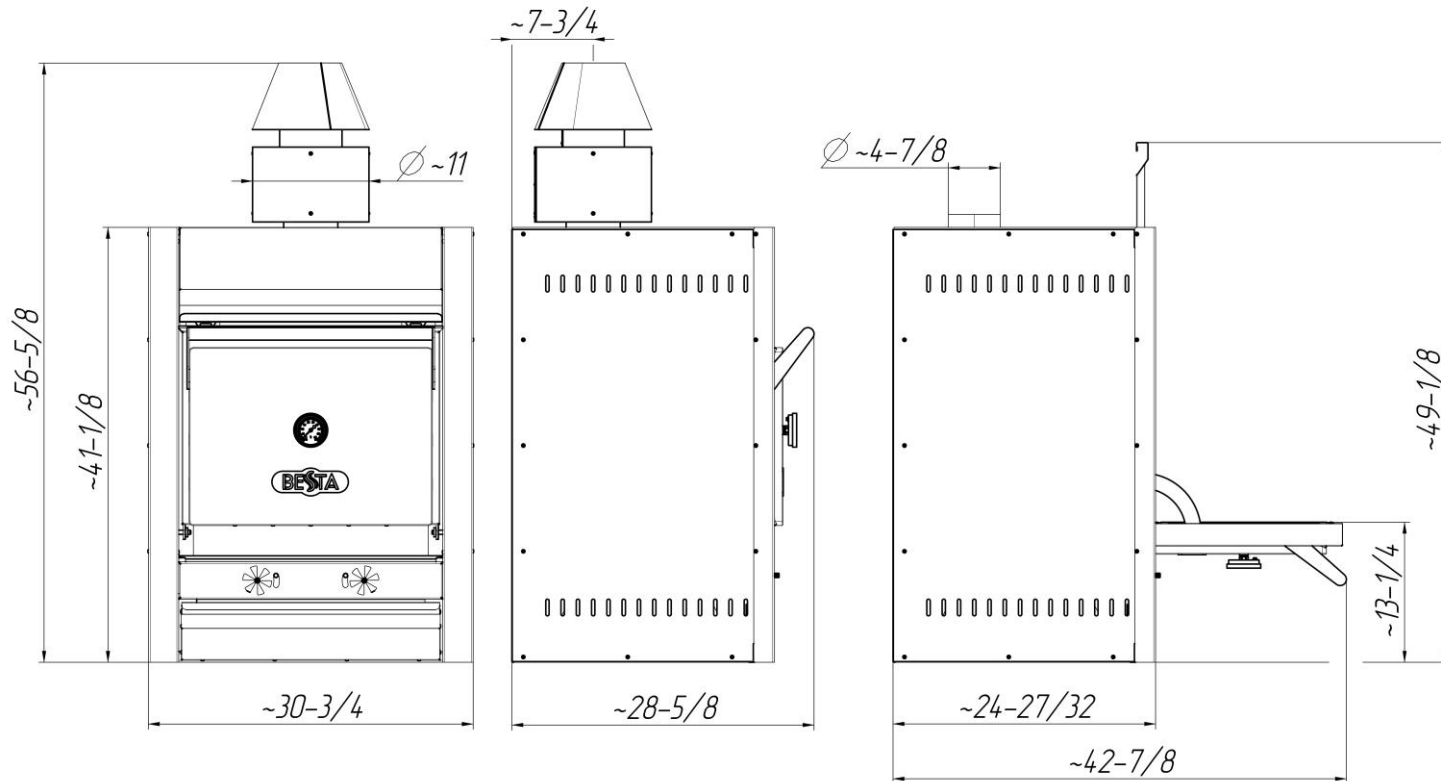
Phone: (401) 331-2299  
Email: [info@bestaovens.com](mailto:info@bestaovens.com)  
[www.bestaovens.com](http://www.bestaovens.com)

**BESTA**  
by Dinemic Solutions



# CHARCOAL OVENS

## MODEL M25 COUNTERTOP OVEN



### INSTALLATION CLEARANCE

- To combustible surfaces: 3" each side and back

Phone: (401) 331-2299  
Email: [info@bestaovens.com](mailto:info@bestaovens.com)  
[www.bestaovens.com](http://www.bestaovens.com)

